

1 Select Hose

- Usage, Purpose
- Fluid
- Max Working Pressure
- Operating temperature
- Condition of Hose Installation

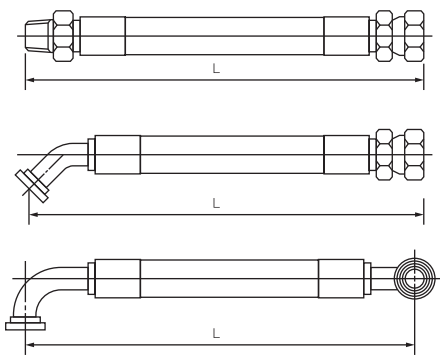
2 Select Fitting

- Shape, Thread
- Method of Seal

3 Assembled Hose

- Hose Length
(Ordering Length)

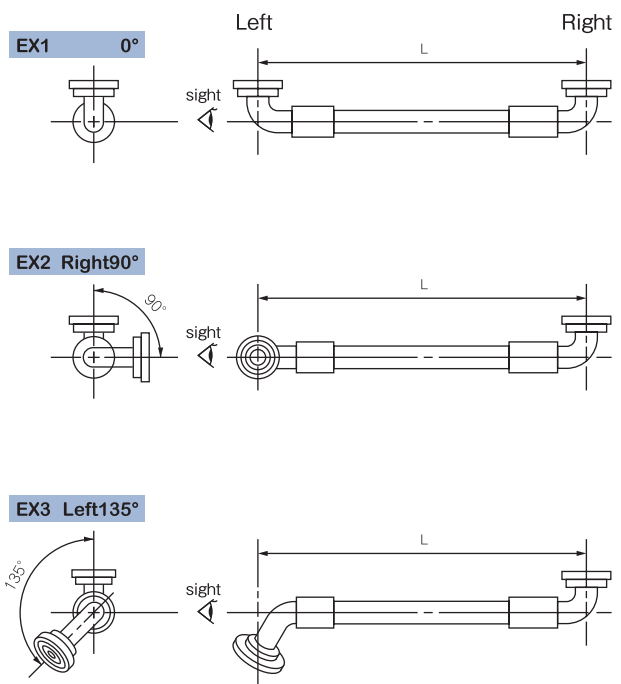
Hose Length Indication



Tolerance of Length Based on JIS B 8630(unit:mm)

Length	+	-
500	+10	0
500 ~ 1000	+15	0
1000 ~ 2000	+20	0
2000 ~ 5000	+1.0%	0
5000	+2.0%	0

Installation Angle of Bend Fitting



4 Order Form

Series	MAX W.P.	Inner Diameter	Length m/m	Fittings	Others	Quantity
EX) IBG	70	19	1,000	1+5	10	5
HW	35	12	1,500	1+4		20

We have placed just standard hydraulic hoses and fittings on this catalog.
So if you need other hoses and fittings,
please feel free to contact us.